

Awesome Options
10-95108

This play equipment is recommended for children ages:
5-12

Scale: 1/4" = 1'-0"
This drawing can be scaled only when in an 11" x 17" format

Drawn By:

Date:
1/10/2020
Quote Number:
10-95108

play&park
structures[®]

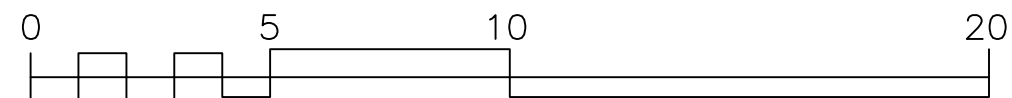
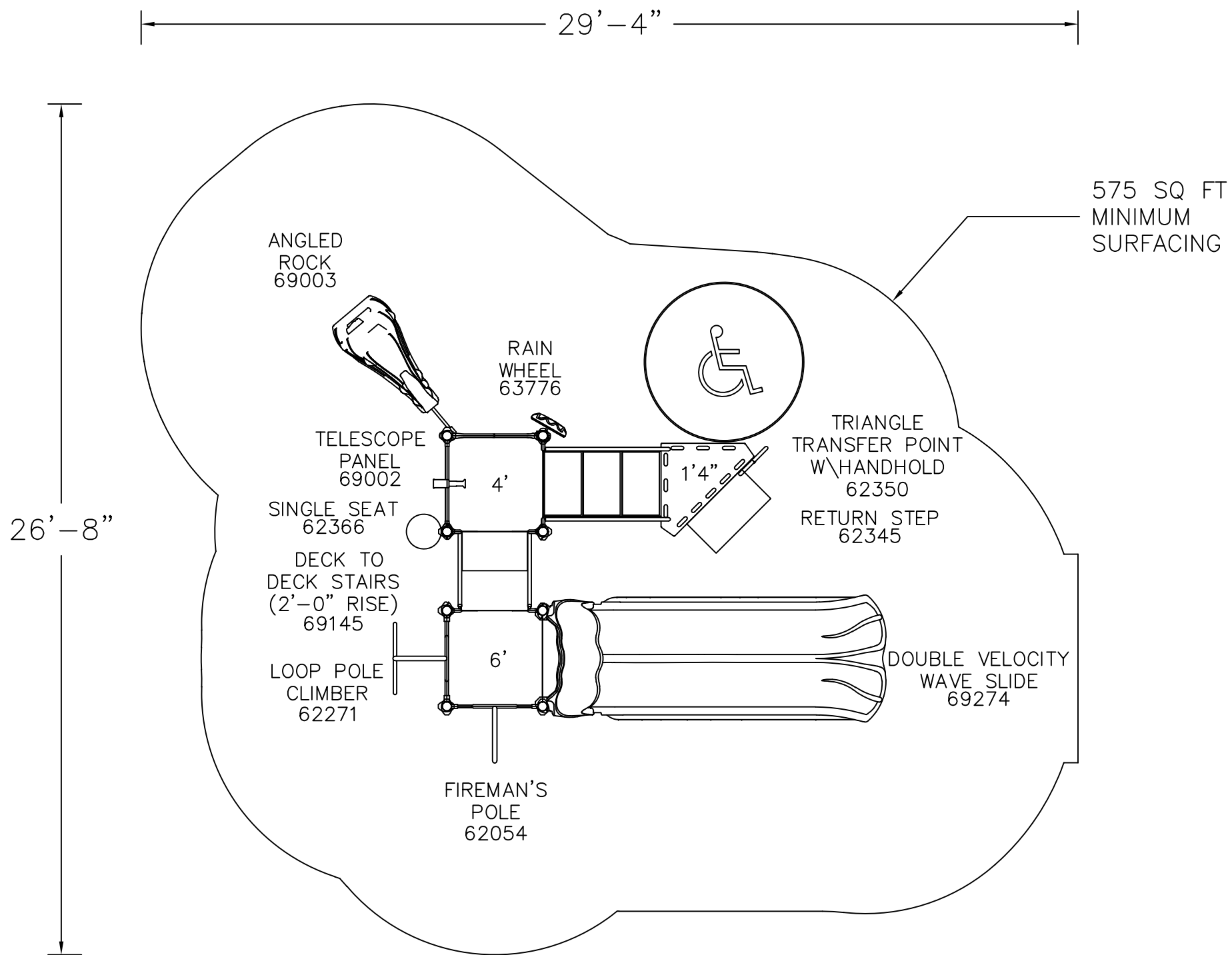
A PLAYCORE Company
544 Chestnut Street
Chattanooga, TN 37402
800-727-1907 / www.playandpark.com



| | | | |
|---|---|------|---|
| Total Play Components | 7 | | |
| Elevated Play Components | 5 | | |
| Elevated Play Components Accessible by Ramp | 0 | Req. | 0 |
| Elevated Components Accessible by Transfer | 5 | Req. | 3 |
| Accessible Ground Level Components Shown | 2 | Req. | 2 |
| Different Types of Ground Level Components | 2 | Req. | 2 |

| | |
|----------------------|-------|
| User Capacity | 25-35 |
| Critical Fall Height | 6'-0" |

Play & Park Structures



It is the manufacturer's opinion that the structure shown herein complies with current ada standards concerning accessibility if used with proper accessible surfacing and together with other necessary ground level play equipment.
IMPORTANT: Never install play equipment over hard, unresilient surfaces such as asphalt, concrete, or compacted earth. It is the owner's responsibility to ensure the "minimum area required" contains an appropriate amount of resilient material to cushion accidental falls.